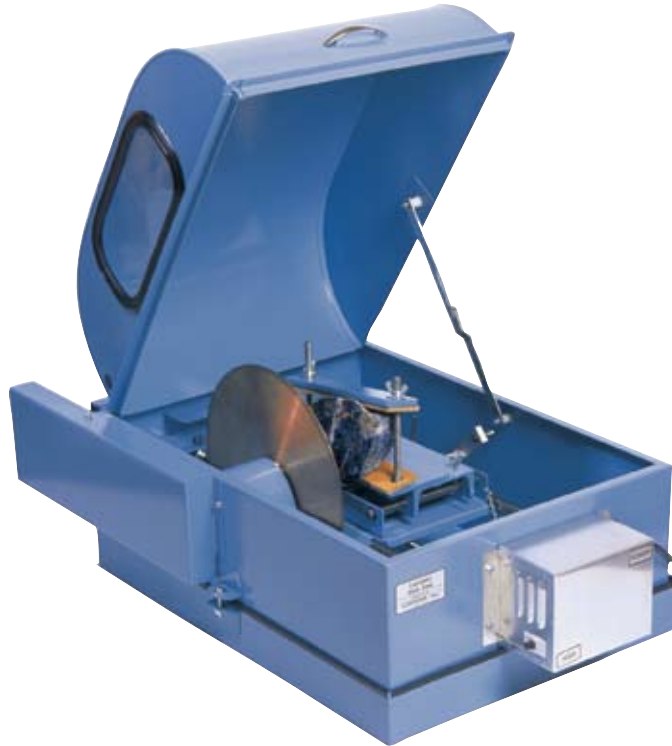


LS12/LS12C INSTRUCTIONS AND PARTS LIST



The LS12 is a quiet, fully enclosed, professional quality 12" slab saw. It comes equipped with a powerful screw-feed and a 4 1/2" capacity vise. Properly set-up, operated and maintained, the LS12 will easily cut most rock and non-metallic materials. Oil coolant required.

- Bench-Top Design
- Power Screw-Feed
- Sturdy Welded Steel Frame
- Hinged Hood with Tempered Glass Window
- 12" Blade (LS12C only)
- Overload Protected 1/3 HP Motor (LS12C only)

SETUP

- Check to make sure you have received the following parts:
 - (1) LS12 Saw
 - (1) Belt Guard with mounting screws
 - (1) Drive Belt
 - (1) Accessory Package Containing:
 - (4) Motor Mounting Bolts with Nuts and Washers
 - (2) Motor Mount Attachment Screws
 - (2) Adjusting Bolts with Nuts and Caps
 - (1) 2 1/4 x 1/2" Motor Pulley
 - (1) Blade Dressing Stick

IMPORTANT

Read the following instructions before assembly or use. Failure to follow instructions can result in damage to the machine or injury to the operator.

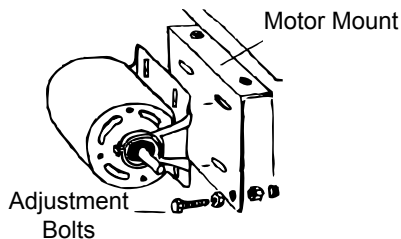
- (1) Operators Manual and Warranty Card
- (1) 12" Diamond Blade (LS12C only)
- (1) 1/3 HP Drive Motor (LS12C only)

Note: Motor for this unit is shipped separately.

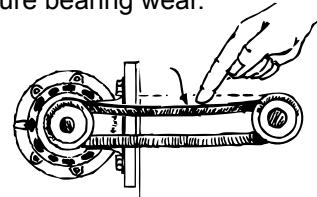
- Remove the saw from its packing and place on a sturdy, flat, level surface.

MOTOR INSTALLATION

- Secure motor to motor mount with bolts provided.
- Install adjustment bolts in motor mount as shown and attach motor to saw frame.
- Place motor pulley on the motor shaft. Tighten set screw securely.
- Install belt and adjust motor to obtain correct belt alignment and tension.
Do not over tighten the belt as this can lead to excessive noise and premature bearing wear.



Adjust belt tension for 1/2" -1" slack



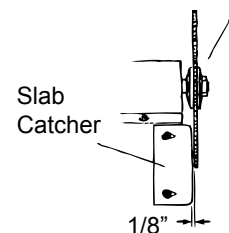
BELT GUARD INSTALLATION

- Place belt guard over the belt, motor pulley, and frame.
- Install the two mounting screws, tighten securely.

Install Blade & Outer Flange, Tighten Arbor Nut securely.

SLAB CATCHER

- Loosen hold-down screws and adjust slab catcher to clear blade by 1/8".



ELECTRICAL CONNECTION

- Make sure all Switches on the Motor and Control Box are in the OFF position
- Make sure the hood is closed.
- Plug the Motor Cord into the outlet on the Control Box.
- Plug the Saw Power Cord into a grounded outlet

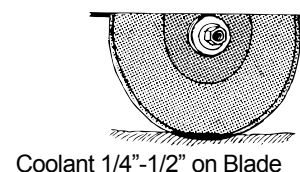
COOLANT

We recommend LORTONE Cutting Oil #086-010 for optimal results.

- Use a neutral petroleum base oil with a high flash point and no additives.
- Add approximately 2 gallons of coolant until the bottom 1/4"-1/2" of the blade is covered.

CAUTION

DO NOT run saw without proper coolant.
DO NOT use Kerosene or other flammable solvents.
DO NOT use water or water soluble oils.
Failure to follow these instructions can result in damage to machine or serious injury to operator.
Use of these coolants will void the warranty.



BLADE CARE & DRESSING

- Clamp a Blade Dressing Stick in the vise. With the hood closed and the saw running, make several cuts through the stick. Repeat as needed.
- Dress the blade frequently. Dull or glazed blades will quickly dish or warp.
Note: Dished or warped blades are not covered under warranty.
- **YOU MUST DRESS THE BLADE PRIOR TO INITIAL USE.**
This removes the protective paint from the cutting edge of the blade.

OPERATION

- Make sure all Switches on Control Box are in the "OFF" position (toward saw) before opening the hood.
- Clamp material securely in vise. Check for looseness of material and re-tighten if necessary.
- Adjust cross feed and hand tighten the carriage lock screw #488-056. See Fig A.
Check to be sure that material will clear the arbor shaft cover and the blade flanges.
- To release carriage, pull half nut lever toward control box. Slide the carriage to desired position and release the half nut lever. Make sure the lever is fully engaged.
- Adjust shutoff chain #447-001 for desired length of cut.

To Start Saw:

Note: The "Power" switch operates the motor and supplies power to the "Feed" switch. The "Feed" switch operates the feed motor only and will not work with the "Power" switch in the off position.

- Close hood and make sure both switches are in the "OFF" position.
- Turn the "Power" switch to "ON" position to start blade rotation.
- To start power feed, turn "Feed" switch to "ON" position.

While Cutting: **IMPORTANT- DO NOT LEAVE SAW UNATTENDED**

- Listen for changes in operating noise. Sudden changes can indicate damaged material or blade.
- Over-heating of the main motor can result in tripping of the safety overload protector.

Note: Tripping the safety overload protector does not shut off the power feed. To prevent blade & saw damage, **IMMEDIATELY** turn off both the "Power" & "Feed" switches. Inspect the machine and blade for damage and correct any problems before continuing. When cool, press the red reset button on the drive motor to reset the protector.

At End of Cut:

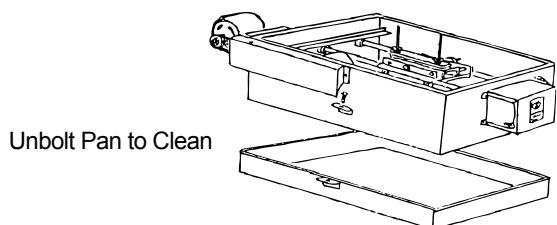
- Push both switches toward saw to "OFF" position before opening the hood.
- Remove the cut slab. Inspect the remaining material to make sure it is secure in the vise.
- Loosen carriage lock screw and advance the carriage by turning the cross-feed wheel.
Each turn advances the cross-feed carriage approximately 1/16 inch (.062).

CAUTION

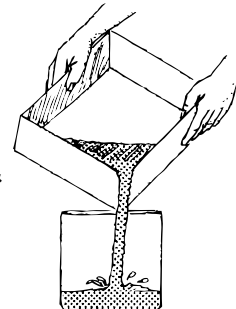
Do not operate saw with Hood open.
Turn off both switches and unplug saw prior to opening hood.
Failure to follow these instructions can result in serious injury.

CLEANING MAINTENANCE

- The saw should be cleaned periodically when sediment builds up to a depth of 1/4".
- Unbolt the saw case from the coolant pan and lift out the case.
- Empty the coolant pan and wipe sludge from the case and power feed screw.
- Re-install case in coolant pan, attach bolts, and add clean and/or filtered oil.



Pour Out Used Oil &
Dispose of Properly.

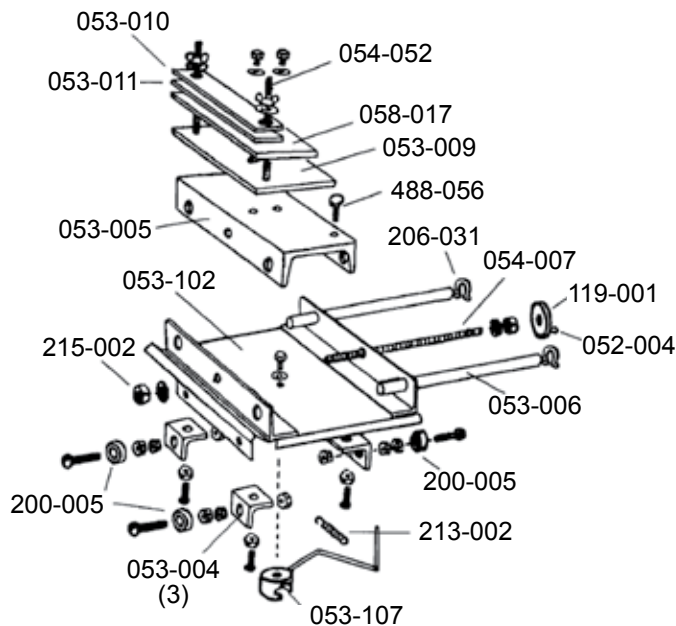


Model LS12

Item	Description	Item	Description
053-108	Arbor Shaft	119-001	Cross Feed Crank
053-028	Flange	200-005	Carriage Bearing
052-004	Cross Feed Handle	200-006	Arbor Bearing
052-020	Feed Rod Coupling	201-012	Feed Rod Bearing
052-022	Power Feed Support	204-001	Bearing Strap
053-001	Feed Support	205-010	Felt Washer
053-003	Cross Feed Support	206-031	Retaining Ring
053-004	Bracket, Bearing	210-038	Belt (4L360)
053-005	Channel, Carriage	211-009	Motor Pulley (2-1/4" x 1/2")
053-006	Shaft, Cross Feed	211-031	Arbor Pulley (4" x 3/4")
053-008	Vise Bolt	213-002	Spring
053-009	Vise Bottom Plate	215-002	Carriage Collar (5/16")
053-010	Vise Top Plate	215-005	Set Collar (1/2")
053-011	Vise Pad, Top	215-009	Set Collar (3/4")
053-012	Slab Catcher	260-001	Window
053-013	Arbor Cover	290-001	Hood Handle
053-014	Motor Mount	290-012	Hood Brace
053-016	Carriage Way	301-051	Power Feed Motor
058-017	Vise Pad, Bottom	304-010	Switch
053-047	Window Key Rubber	304-011	Switch w/hole
053-048	Window Rubber Seal	305-002	Receptacle
053-103	Control Box (Box Only)	320-004	Strain Relief
053-106	Belt Guard	350-002	Cord
053-100	Hood	447-001	Shutoff Chain (21" long)
053-101	Case	481-057	Arbor Nut
053-102	Vise Carriage	488-056	Carriage Lock Screw
053-104	Coolant Pan	566-012	Replacement Blade Dressing Stick
053-107	Half Nut		

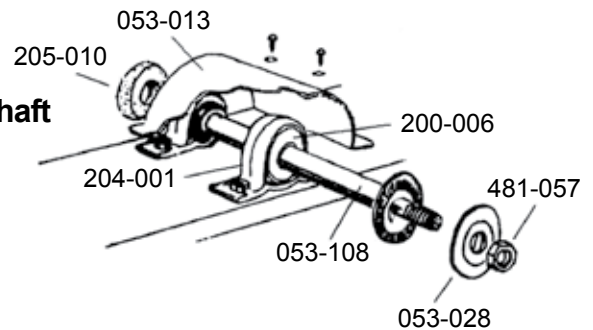
Vise Carriage

Fig. A



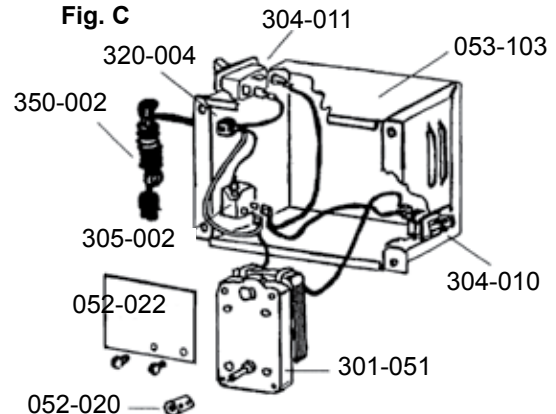
Arbor Shaft

Fig. B

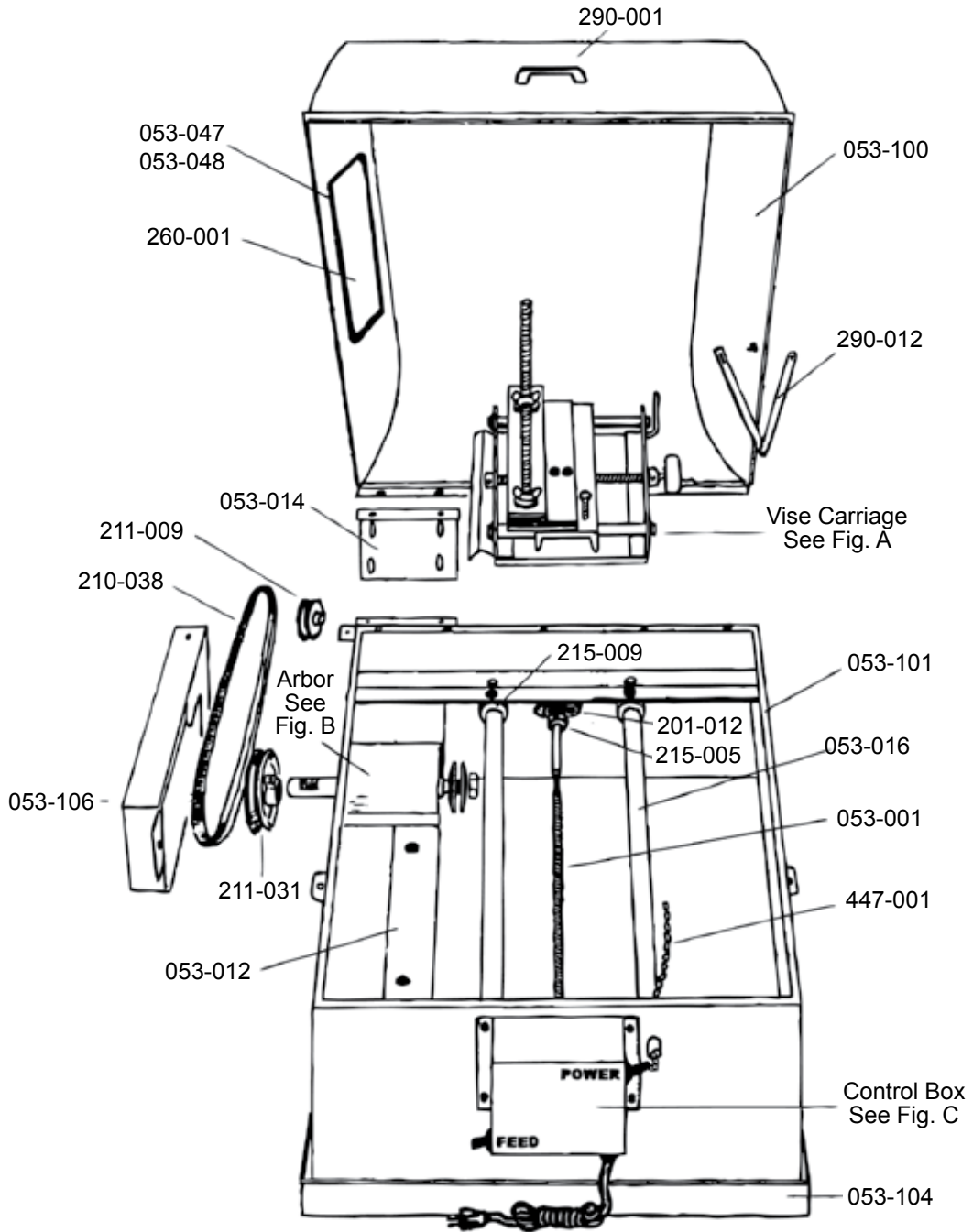


Gear Box

Fig. C



Model LS12



CAUTION !!

Failure to follow these instructions may result in injury to the operator and damage to the machine.

***FOR PROPER OPERATION USE ONLY
5-10 wt. PETROLEUM OIL,
NON-DETERGENT TYPE,
WITH A HIGH FLASH POINT***

DO NOT USE water, water-soluble oil, solvents, fuels, anti-freeze or vegetable oil.

Use of these or other materials will result in substandard performance and damage to the machine is not covered under warranty.

**We suggest LORTONE Cutting Oil
#086-010**

CAUTION !!